

Technical data sheet

GE ... EW-2RS

DIN ISO 12240-1

series E

Sliding contact surface: hard chromium / Teflon® cotton fabric >> maintenance-free

===== For the dimensions of the bearings please see dimension tables =====

Mounting conditions GE ... EW-2RS

	Valid for shaft- \varnothing	Surface quality	Fitting
Steel shaft	$17 \leq d \leq 300$ mm	$\leq Rz 10$	j6
Steel housing	$17 \leq d \leq 300$ mm	Rz 10 to Rz 16	K7
Light metal housing	$17 \leq d \leq 300$ mm	Rz 10 to Rz 16	M7

Limits of edge breaks [mm] GE ... EW-2RS

d [mm]	$17 \leq d \leq 20$	$20 < d \leq 30$	$30 < d \leq 50$	$50 < d \leq 160$	$160 < d \leq 300$
$r_{1\text{min}}$ [mm]	0,3	0,6	0,6	1,0	1,1
$r_{2\text{min}}$ [mm]	0,3	0,6	1,0	1,0	1,1

Internal clearance groups [μm] GE ... EW-2RS

d [mm]	$17 \leq d \leq 20$	$20 < d \leq 35$	$35 < d \leq 60$	$60 < d \leq 90$	$90 < d \leq 140$	$140 < d \leq 240$	$240 < d \leq 300$
CN	0 to 40	0 to 50	0 to 60	0 to 72	0 to 85	0 to 100	0 to 110

Further internal clearance groups on inquiry

Temperature range: -30 °C to +130 °C (up to +150 °C without seals and down to -50 °C with reduction in the rating life).

Materials:

- outer ring: rolling bearing steel (100 Cr 6 depending on cross section!), hardened with inserted PTFE-fabric sliding material
- inner ring: rolling bearing steel (100 Cr 6 depending on cross section!), hardened, spherical surface chromium-plated
- sealing ring: plastic

Dimension table

GE ... EW-2RS

DIN ISO 12240-1

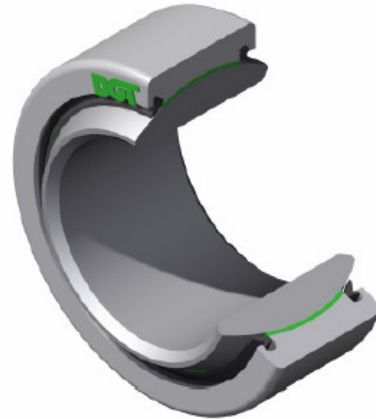
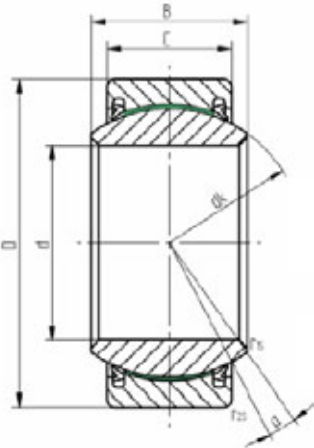
series E

Sliding contact surface: hard chromium / Teflon® -cotton fabric >> maintenance-free

Alternative markings

There is no warranty for definite equality of bearings of different suppliers!

GE ... UK-2RS



Type	Main dimensions						Mass m [kg]	Radial internal clearance kN / G C _r / G	Load rating capacities	
	d [mm]	D [mm]	B [mm]	C [mm]	d _k [mm]	= α [°]			C [kN]	C ₀ [kN]
GE 17 EW-2RS	17 ⁰ _{-0,008}	30 ⁰ _{-0,009}	14 ⁰ _{-0,12}	10 ⁰ _{-0,24}	25,0	10	0,041	1 316	48,7	81,2
GE 20 EW-2RS	20 ⁰ _{-0,010}	35 ⁰ _{-0,011}	16 ⁰ _{-0,12}	12 ⁰ _{-0,24}	29,0	9	0,066	1 125	67,5	112,0
GE 25 EW-2RS	25 ⁰ _{-0,010}	42 ⁰ _{-0,011}	20 ⁰ _{-0,12}	16 ⁰ _{-0,24}	35,5	7	0,119	1 155	127,0	212,0
GE 30 EW-2RS	30 ⁰ _{-0,010}	47 ⁰ _{-0,011}	22 ⁰ _{-0,12}	18 ⁰ _{-0,24}	40,7	6	0,153	1 179	165,0	275,0
GE 35 EW-2RS	35 ⁰ _{-0,012}	55 ⁰ _{-0,013}	25 ⁰ _{-0,12}	20 ⁰ _{-0,30}	47,0	6	0,233	955	210,0	350,0
GE 40 EW-2RS	40 ⁰ _{-0,012}	62 ⁰ _{-0,013}	28 ⁰ _{-0,12}	22 ⁰ _{-0,30}	53,0	7	0,306	923	277,0	462,0
GE 45 EW-2RS	45 ⁰ _{-0,012}	68 ⁰ _{-0,013}	32 ⁰ _{-0,12}	25 ⁰ _{-0,30}	60,0	7	0,427	923	360,0	600,0
GE 50 EW-2RS	50 ⁰ _{-0,012}	75 ⁰ _{-0,013}	35 ⁰ _{-0,12}	28 ⁰ _{-0,30}	66,0	6	0,546	834	442,0	737,0
GE 60 EW-2RS	60 ⁰ _{-0,015}	90 ⁰ _{-0,015}	44 ⁰ _{-0,15}	36 ⁰ _{-0,40}	80,0	6	1,040	704	690,0	1 150,0
GE 70 EW-2RS	70 ⁰ _{-0,015}	105 ⁰ _{-0,015}	49 ⁰ _{-0,15}	40 ⁰ _{-0,40}	92,0	6	1,550	590	885,0	1 475,0
GE 80 EW-2RS	80 ⁰ _{-0,015}	120 ⁰ _{-0,015}	55 ⁰ _{-0,15}	45 ⁰ _{-0,40}	105,0	6	2,310	511	1 125,0	1 875,0
GE 90 EW-2RS	90 ⁰ _{-0,020}	130 ⁰ _{-0,018}	60 ⁰ _{-0,20}	50 ⁰ _{-0,50}	115,0	5	2,750	511	1 380,0	2 300,0
GE 100 EW-2RS	100 ⁰ _{-0,020}	150 ⁰ _{-0,018}	70 ⁰ _{-0,20}	55 ⁰ _{-0,50}	130,0	7	4,450	409	1 717,0	2 862,0
GE 110 EW-2RS	110 ⁰ _{-0,020}	160 ⁰ _{-0,025}	70 ⁰ _{-0,20}	55 ⁰ _{-0,50}	140,0	6	4,820	393	1 845,0	3 075,0
GE 120 EW-2RS	120 ⁰ _{-0,020}	180 ⁰ _{-0,025}	85 ⁰ _{-0,20}	70 ⁰ _{-0,50}	160,0	6	8,050	331	2 685,0	4 475,0
GE 140 EW-2RS	140 ⁰ _{-0,025}	210 ⁰ _{-0,030}	90 ⁰ _{-0,25}	70 ⁰ _{-0,60}	180,0	7	11,020	284	3 015,0	5 025,0
GE 160 EW-2RS	160 ⁰ _{-0,025}	230 ⁰ _{-0,030}	105 ⁰ _{-0,25}	80 ⁰ _{-0,60}	200,0	8	14,010	278	3 840,0	6 400,0
GE 180 EW-2RS	180 ⁰ _{-0,025}	260 ⁰ _{-0,035}	105 ⁰ _{-0,25}	80 ⁰ _{-0,70}	225,0	6	18,650	248	4 320,0	7 200,0
GE 200 EW-2RS	200 ⁰ _{-0,030}	290 ⁰ _{-0,035}	130 ⁰ _{-0,30}	100 ⁰ _{-0,70}	250,0	7	28,030	231	6 000,0	10 000,0
GE 220 EW-2RS	220 ⁰ _{-0,030}	320 ⁰ _{-0,040}	135 ⁰ _{-0,30}	100 ⁰ _{-0,80}	275,0	8	35,510	186	6 600,0	11 000,0
GE 240 EW-2RS	240 ⁰ _{-0,030}	340 ⁰ _{-0,040}	140 ⁰ _{-0,30}	100 ⁰ _{-0,80}	300,0	8	39,910	185	7 200,0	12 000,0
GE 260 EW-2RS	260 ⁰ _{-0,035}	370 ⁰ _{-0,040}	150 ⁰ _{-0,35}	110 ⁰ _{-0,80}	325,0	7	51,540	168	8 550,0	14 250,0
GE 280 EW-2RS	280 ⁰ _{-0,035}	400 ⁰ _{-0,040}	155 ⁰ _{-0,35}	120 ⁰ _{-0,80}	350,0	6	65,060	155	10 050,0	16 750,0
GE 300 EW-2RS	300 ⁰ _{-0,035}	430 ⁰ _{-0,045}	165 ⁰ _{-0,35}	120 ⁰ _{-0,90}	375,0	7	78,070	141	10 800,0	18 000,0

For chamfer dimensions (r...), fitting conditions, temperature range, internal clearance and materials see technical data sheet
 Further dimensions on inquiry

100%